

CLASS RATING :

HEAVY DUTY

LIVE LOAD LIMITS :

MAXIMUM = 3.5T GVM

DEAD LOAD :

0 TO 0.6 m OF FILL

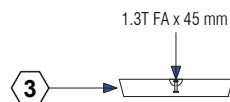
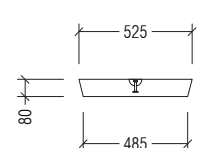
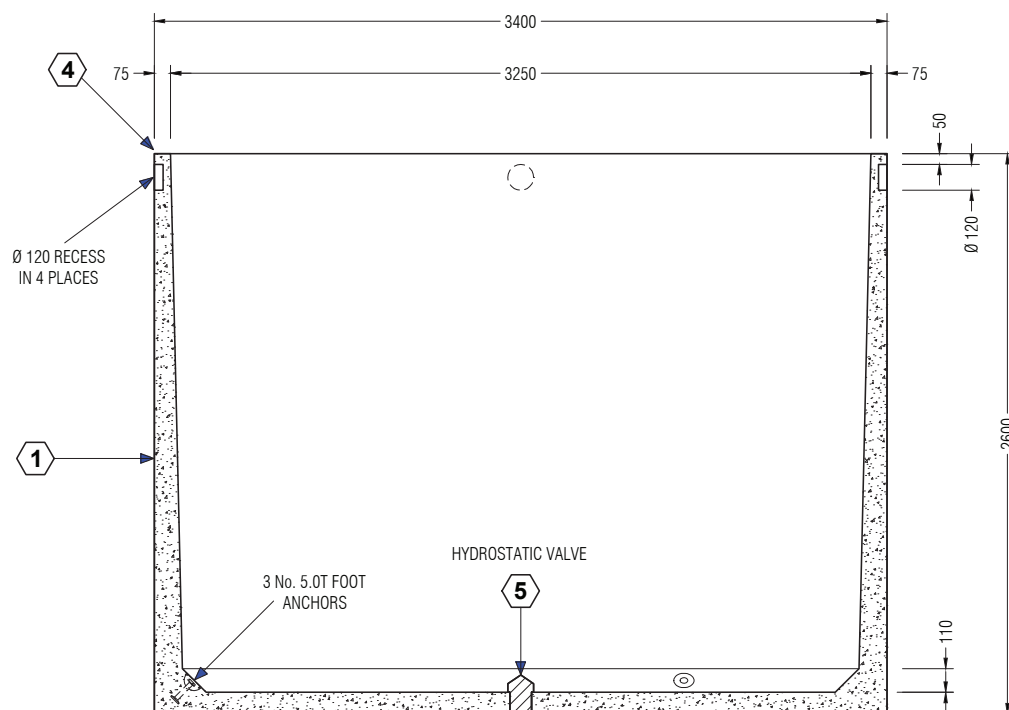
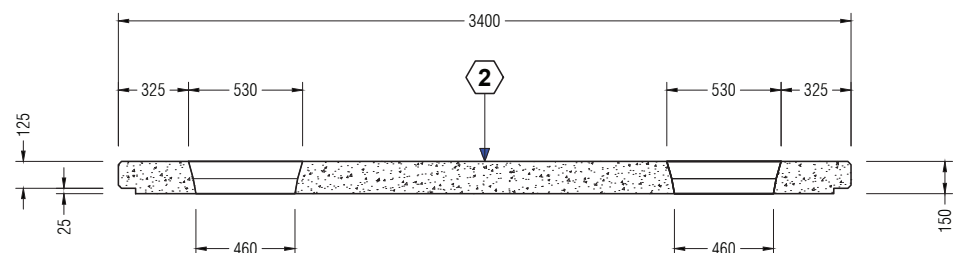
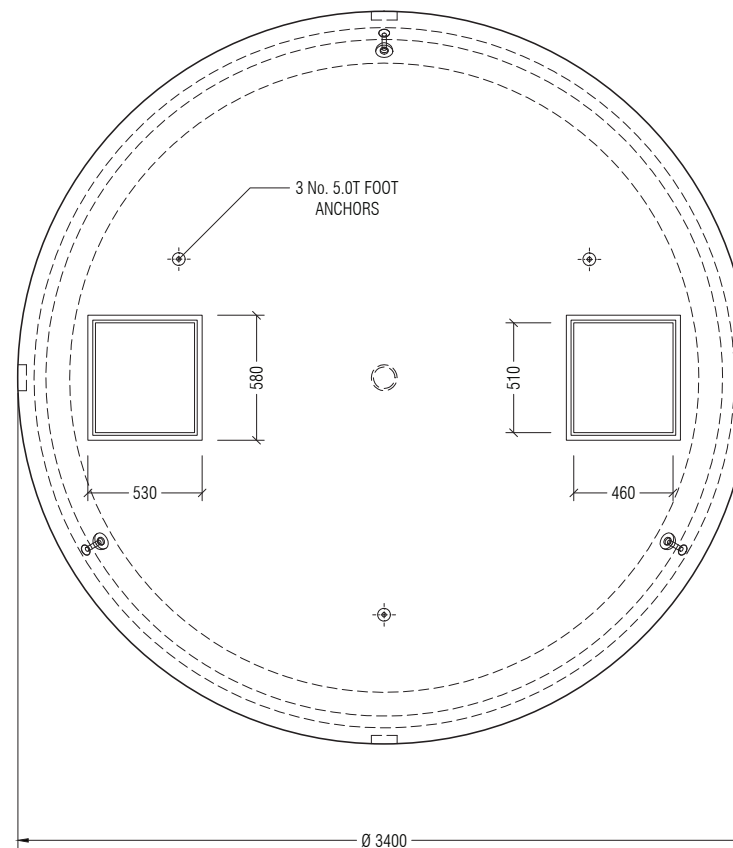
CONCRETE GRADE :CONCRETE STRENGTH 40 MPa
EXPOSURE CLASSIFICATION B1
AS 3600-2001**TOTAL MASS :**LID = 3.270 TONNES
BASE = 9.025 TONNES**LIFTING :**

3 x 5.0T SWIFTLIFT FOOT ANCHORS

NOTES :BEARING CAPACITY OF SOIL
UNDER THE TANK TO BE
150 KPa MINIMUMQuality
ISO 9001**TANKET**Cnr Bayfield Rd East & Canterbury Rd,
Bayswater North 3153 Vic Australia
T: 1300 826 538 www.tanket.com.au

TITLE
**20,000 Litre Concrete Tank
Heavy Duty**

SCALE	-	DRG No.	565V20000HD	REV	A
DATE	04.10.14				
DRAWN	R.P.	CHECKED	D. EGAN	SIZE	A3

**COVER DETAIL****SECTION OF TANK****PLAN VIEW**

No.	ITEM CODE	QTY	DESCRIPTION
1	565V20000BHD	1	20,000L CONC TANK BASE - HD
2	565V20000LHD	1	20,000L CONC TANK LID - HD
3	600V006	2	SQUARE MANHOLE COVER
4	VMASIC25	5	25 mm BUTYL MASTIC x 3.6 m ROLL
5	605A110	1	HYDROSTATIC VALVE

No.	DATE	REVISIONS
	04.10.14	FIRST ISSUE