

CLASS RATING :

HEAVY DUTY

LIVE LOAD LIMITS :

MAXIMUM = 3.5T GVM

DEAD LOAD :

0 TO 0.6 m OF FILL

CONCRETE GRADE :CONCRETE STRENGTH 40 MPa
EXPOSURE CLASSIFICATION B1
AS 3600-2001**TOTAL MASS :**TOP = 5.650 TONNES
BASE = 5.830 TONNES**LIFTING :**

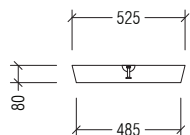
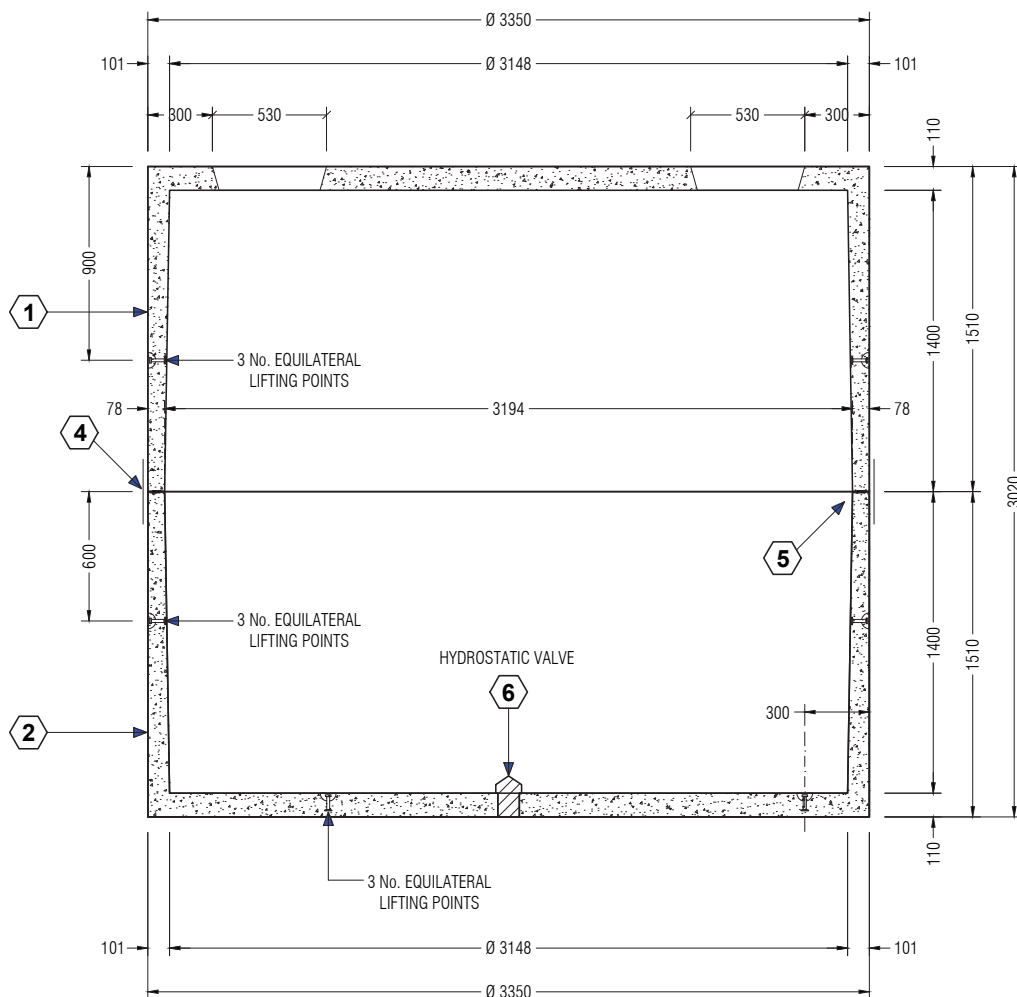
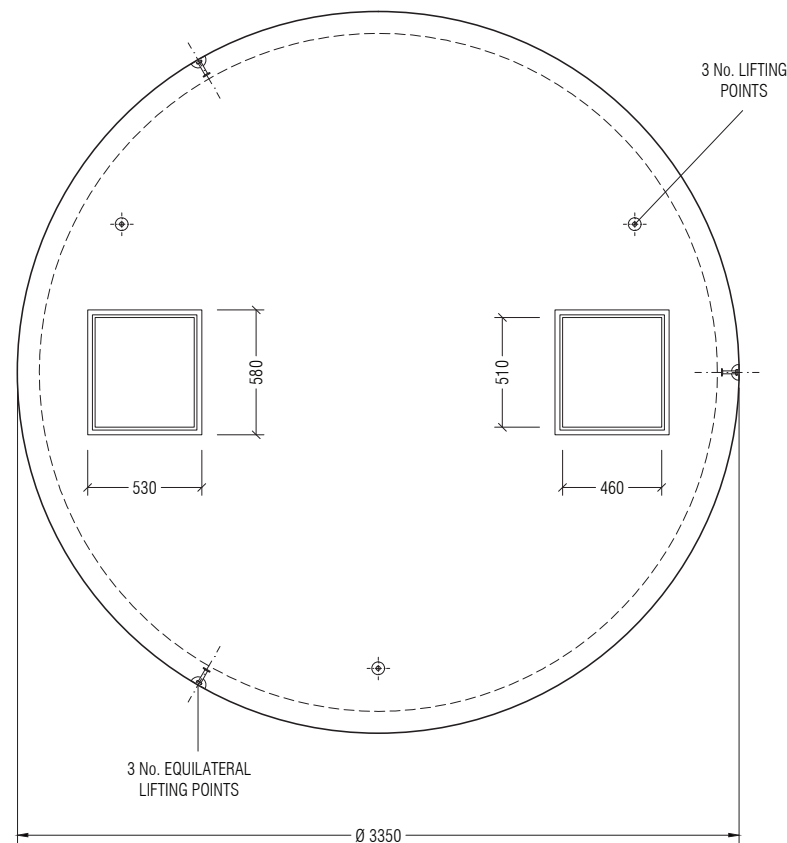
3 x 2.5T SWIFTLIFT FOOT ANCHORS

NOTES :BEARING CAPACITY OF SOIL
UNDER THE TANK TO BE
150 KPa MINIMUMQuality
ISO 9001**TANKET**Cnr Bayfield Rd East & Canterbury Rd,
Bayswater North 3153 Vic Australia
T: 1300 826 538 www.tanket.com.au

TITLE
**22,150 Litre Concrete Tank
Heavy Duty**

SCALE	-	DRG No.	REV
DATE	07.10.14	565V22150HD	A
DRAWN	R.P.	CHECKED	D. EGAN
		SIZE A3	

1.3T FA x 45 mm

**COVER DETAIL****SECTION OF TANK****PLAN VIEW**

No.	ITEM CODE	QTY	DESCRIPTION
1	565V11075THD	1	11075L CONC TANK TOP - HD
2	565V11075BHD	1	11075L CONC TANK BASE - HD
3	600V006	2	SQUARE MANHOLE COVER
4	VTBRACK	8	LOCATING BRACKETS
5	VMASTIC25	4	25 mm BUTYL MASTIC x 3.6 m ROLL
6	605A110	1	HYDROSTATIC VALVE

No.	DATE	REVISIONS
A	07.10.14	FIRST ISSUE