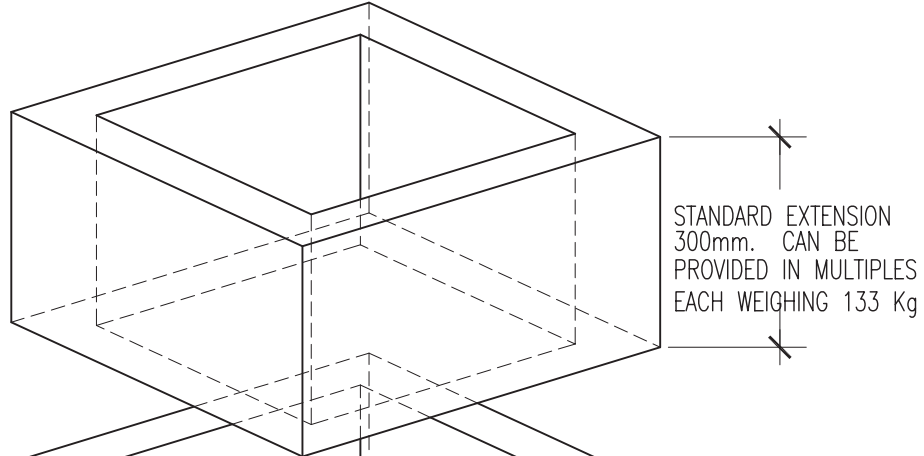




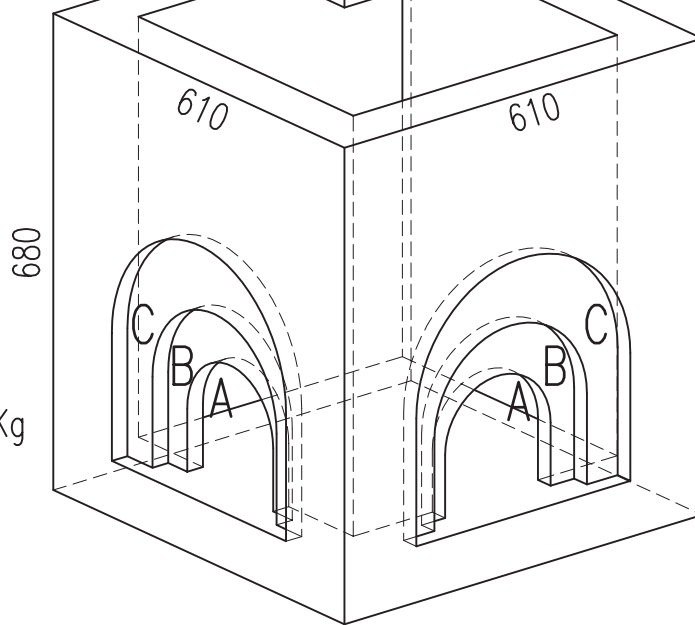
Australian Standard

A.S. 1546.1-1998

WEIGHT 133 Kg



WEIGHT 290 Kg



INTERNAL DIMENSIONS (IN MM)		PIPE KNOCKOUTS		EXCAVATION DETAILS		DEPTH WITH ACCESSORIES	
LENGTH	450	A	180	FLOOR	80mm THICK	LENGTH	650
WIDTH	450	B	260	WALLS	80mm THICK	WIDTH	650
DEPTH	600	C	365			DEPTH	680
							STANDARD EXTENSION 300mm
							SPECIAL EXTENSIONS CAN BE MADE

Storm Water Pit No. 1 - 450x450x600



TANKET

Cnr Bayfield Rd East & Canterbury Rd,
Bayswater North 3153 Vic Australia

T: 1300 826 538 www.tanket.com.au