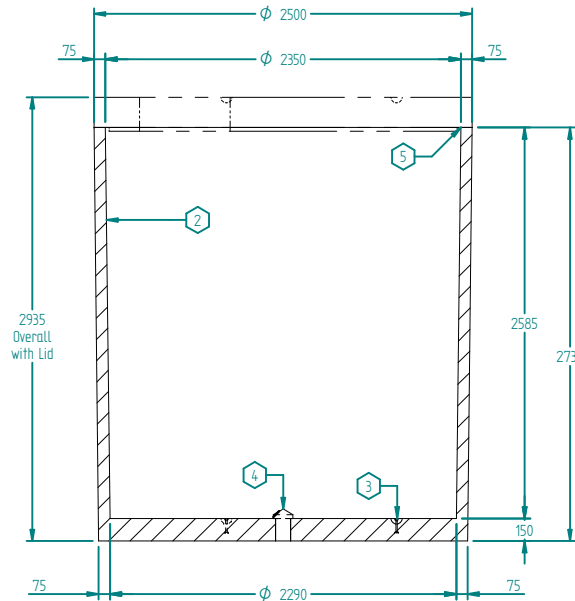
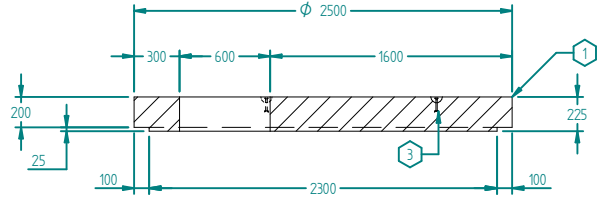
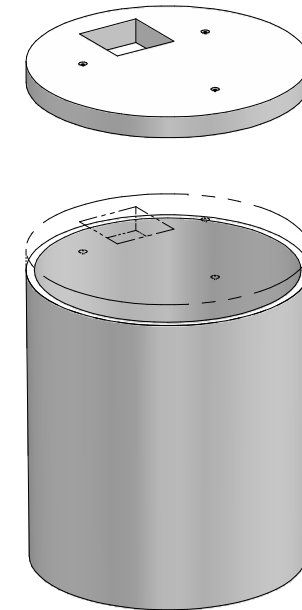


PLAN VIEW



SECTION A-A  
1:50



NO ACCESS COVER SUPPLIED

No.	Item Code	Qty.	Description
1	T11000LXHD	1	11000L XHD tank Lid
2	T11000BXHD	1	11000L XHD tank base
3	T2FA090	3	2.5T x 90 Long Foot anchors Lid & Base
4	T605A110	1	Hydrostatic Valve
5	VMASTIC25	3	25mm Butyl Mastic x 3.6m Roll

**CLASS RATING**  
EXTRA HEAVY DUTY

**LIVE LOAD LIMITS**  
44 tonne Max

**DEAD LOAD**  
0 to 0.5 Metre fill

**CONCRETE GRADE**  
0 to 0.5 Metre fill 40MPa  
Exposure Classification B1  
AS 3600-2001

**TOTAL MASS**  
Tank = 5.222 Tonnes  
Lid = 2.410 Tonnes

**LIFTING**  
SwiftLift Foot Anchor  
Tank - 3 x 2.5t x 90mm  
Lid - 3 x 2.5t x 90mm  
SwiftLift Clutches Required

**WATER VOLUME**  
11,000 Litres

**TANK BASE NOTES**  
Bearing capacity of soil  
under the tank to be  
150 Kpa Minimum

**NOTES**  
Alternative access options  
can be manufactured  
Enquire with Tanket



**TANKET**  
26, 30 Ramset Drive  
Chirnside Park, Victoria, 3116 Australia  
Ph: 1300 TANKET / 1300 826 538 - 03 9726 0756  
www.tanket.com.au  
A Division of Neilsen Industries Australia

No.		DATE	REVISION	11,000 Litre Concrete Tank Extra Heavy Duty			
				SCALE	DRG No.	REV	
		DATE 29/07/2019		T11000XHD		-	
DRAWN	W.N.	CHECKED	J. NEILSEN	SIZE A4			