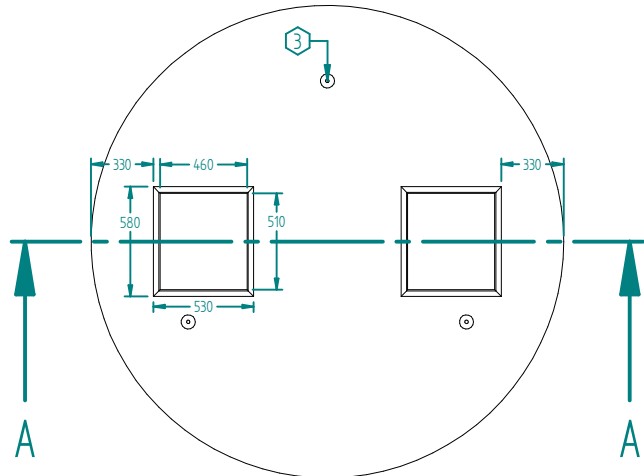
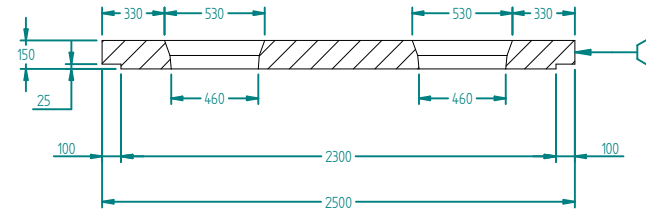
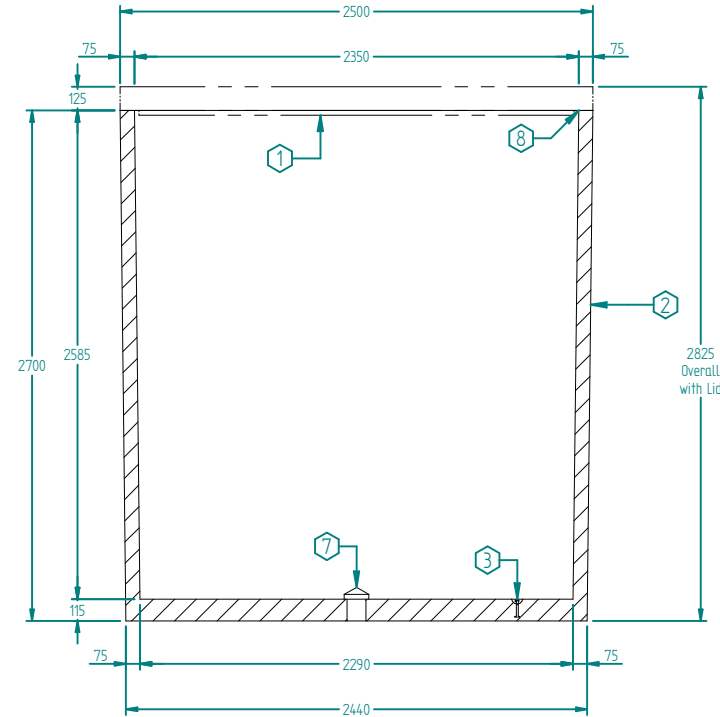


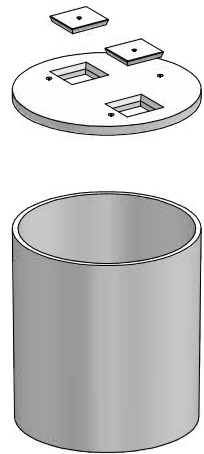
Cover
1:20



Plan View



SECTION A-A
1:40



CLASS RATING
HEAVY DUTY

LIVE LOAD LIMITS
< 3.5 tonne Max

DEAD LOAD
0 to 0.5 Metre fill

CONCRETE GRADE
0 to 0.5 Metre fill 40MPa
Exposure Classification B1
AS 3600-2001

TOTAL MASS
Covers @ = 54 kg
Tank = 4.82 Tonnes
Lid = 1.53 Tonnes

LIFTING
SwiftLift Foot Anchor
Cover - 1 x 1.3t x 55mm
Tank - 3 x 2.5t x 90mm
Lid - 3 x 2.5t x 90mm
SwiftLift Clutches Required

WATER VOLUME
11,000 Litres

TANK BASE NOTES
Bearing capacity of soil
under the tank to be
150 Kpa Minimum

NOTES
Alternative access options
can be manufactured
Enquire with Tanket

No.	Item Code	Qty.	Description
1	T11000LHD	1	11000L HD Lid 2500d 150mm
2	T11000BHD	1	11000L HD tank base
3	T2FA090	3	SwiftLifts 2.5T x 90mm Lid & Base
4	T600V006	2	Square Manhole Covers
5	T1FA055	1	Swiftlift 1.3T x 55mm ea - Manhole Cover
6	VTBRACKHD	6	Locating Brackets
7	T605A110	1	Hydrostatic Valve
8	VMASTIC25	3	25mm Butyl Mastic x 3.6m Roll



TANKET
26 - 30 Ramset Drive
Chirnside Park, Victoria, 3116 Australia
Ph: 1300 TANKET / 1300 826 538 - 03 9726 0756
www.tanket.com.au
A Division of Neilsen Industries Australia

11,000 Litre Concrete Tank Heavy Duty			
SCALE	1:40	DRG No.	REV
DATE	23/07/2019	T11000HD	-
DRAWN	W.N.	CHECKED	J. NEILSEN
No.		DATE	REVISION
			SIZE A4