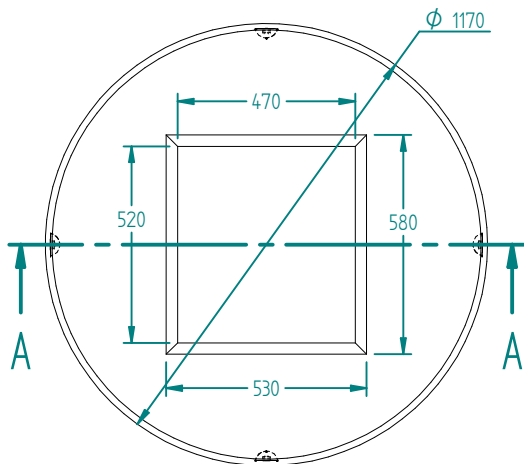
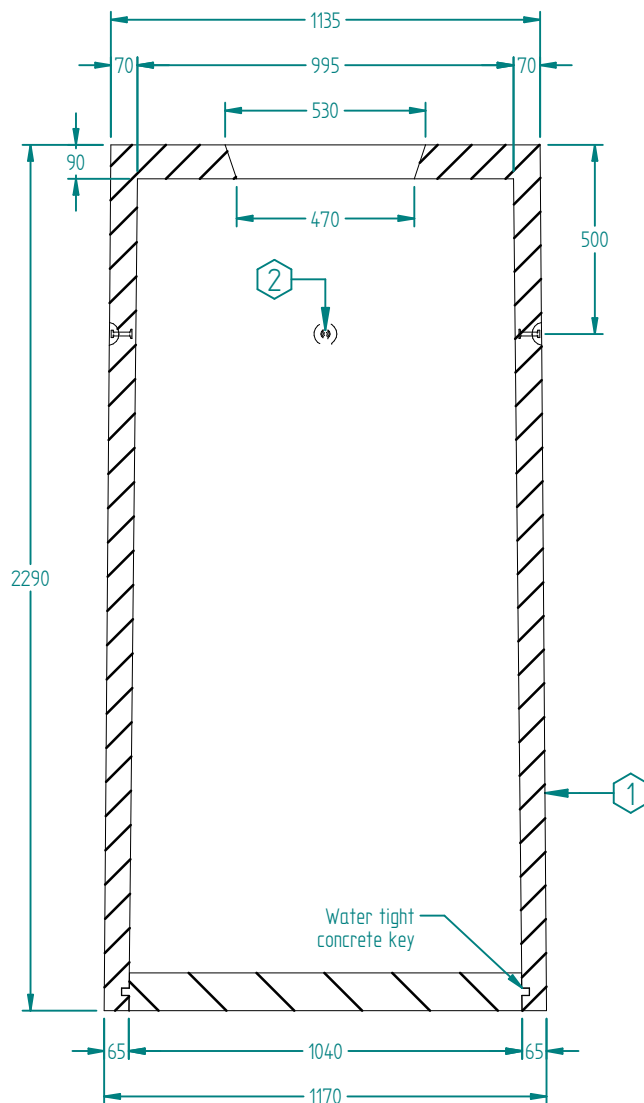


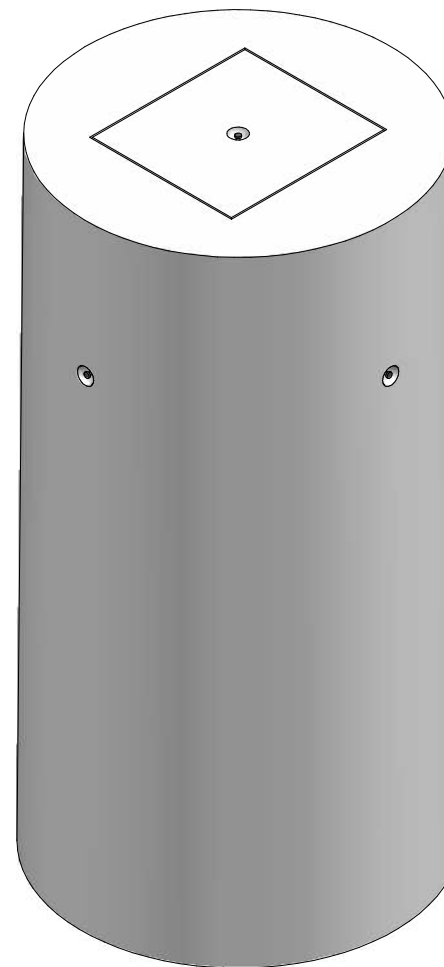
Cover



Plan View



SECTION A-A
1:20



CLASS RATING
STANDARD DUTY

LIVE LOAD LIMITS
< 0.5 tonne Max

DEAD LOAD
0 to 0.5 Metre fill

CONCRETE GRADE
0 to 0.5 Metre fill 40MPa
Exposure Classification B1
AS 3600-2001

TOTAL MASS
Cover = 54 kg
Tank = 1583 Tonnes

LIFTING
Swiftlift Foot Anchor
Cover - 1 x 13t x 55mm
Tank - 4 x 13t x 55mm
Swiftlift Clutches Required

WATER VOLUME
1700 Litres

TANK BASE NOTES
Bearing capacity of soil
under the tank to be
150 Kpa Minimum

NOTES
Alternative access options
can be manufactured
Enquire with Tanket

No.	Item Code	Qty.	Description
1	T1700SD	1	1700L SD Concrete Tank
2	T1FA055	4	Swiftlift Foot anchors 1.3T x 55mm
3	T600V006	1	Square Manhole Cover
4	T1FA055	1	Swiftlift 1.3T x 55mm ea - Manhole Cover

1700 Litre Concrete Tank Standard Duty			
SCALE	1:20	DRG No.	REV
DATE	12/07/2019	T1700SD	-
No.	DATE	REVISION	SIZE
DRAWN	W.N.	CHECKED	J. NEILSEN
			A4