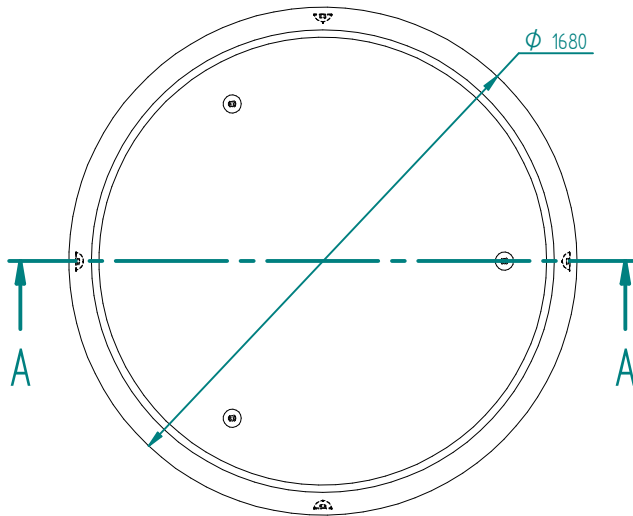
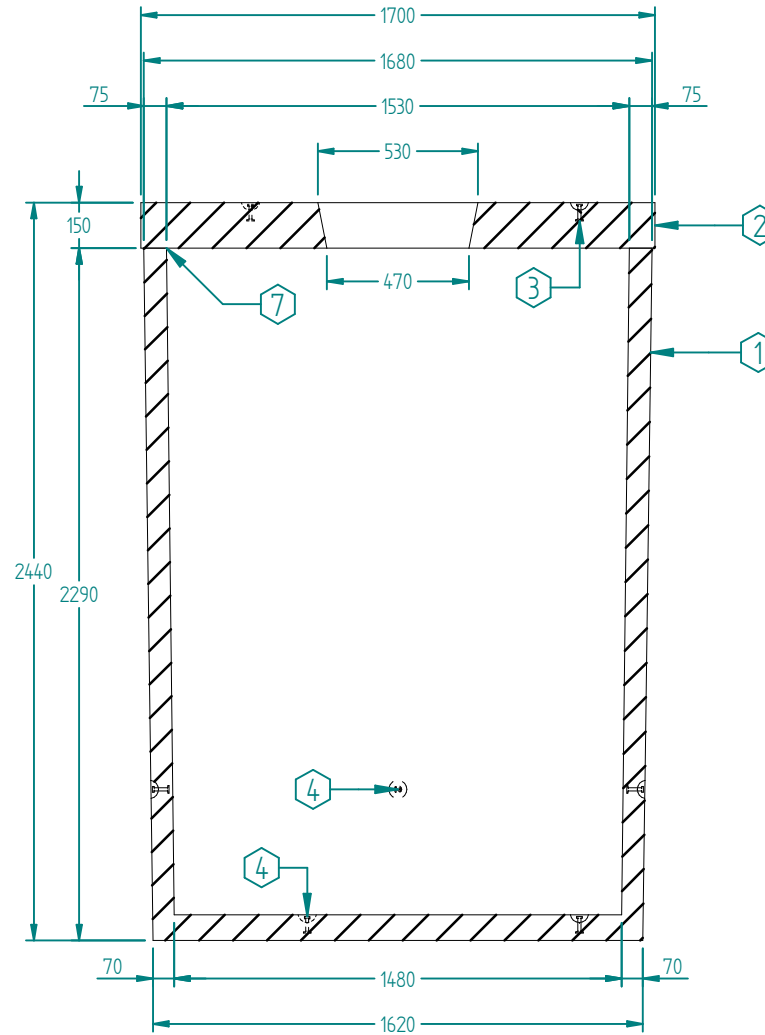


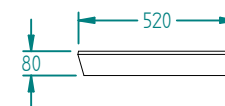
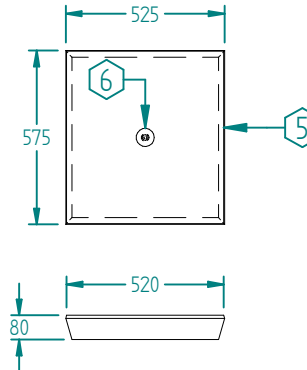
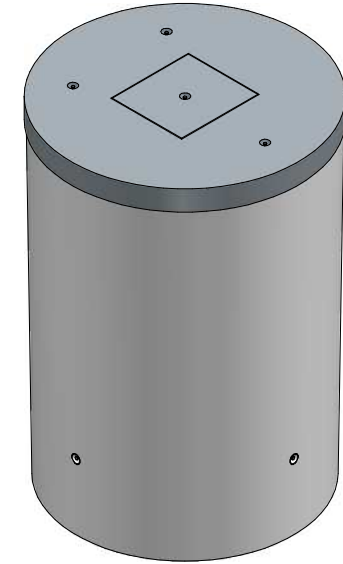
Lid



Plan View



SECTION A-A  
1:25



Cover

**CLASS RATING**

HEAVY DUTY

**LIVE LOAD LIMITS**

< 3.5 tonne Max

**DEAD LOAD**

0 to 0.6 Metre fill

**CONCRETE GRADE**

0 to 0.5 Metre fill 40MPa  
Exposure Classification B1  
AS 3600-2001

**TOTAL MASS**

Cover = 54 kg  
Lid = 0.718 Tonnes  
Tank = 2.337 Tonnes

**LIFTING**

SwiftLift Foot Anchor  
Cover - 1 x 1.3t x 55mm  
Lid - 3 x 1.3t x 55mm  
Tank - 3/4 x 1.3t x 55mm  
SwiftLift Clutches Required

**WATER VOLUME**

3800 Litres

**TANK BASE NOTES**

Bearing capacity of soil  
under the tank to be  
150 Kpa Minimum

**NOTES**

Alternative access options  
can be manufactured  
Enquire with Tanket

No.	Item Code	Qty	Description
1	T3800BHD	1	3800L HD Concrete Tank Base
2	T406V1700150-96	1	1700mm Diam x 150-96 Lid
3	T1FA055	3	SwiftLift Foot anchors 1.3T x 55mm Lid
4	T1FA055	3/ 4	SwiftLift Foot anchors 1.3T x 55mm Base
5	T600V006	1	Square Manhole Cover
6	T1FA055	1	SwiftLift 1.3T x 55mm ea - Manhole Cover
7	VMASTIK	3	25mm Butyl Mastic x 3.6m Roll



**TANKET**  
26 - 30 Ramset Drive  
Chirnside Park, Victoria, 3116 Australia  
Ph: 1300 TANKET / 1300 826 538 - 03 9726 0756  
www.tanket.com.au  
A Division of Neilsen Industries Australia

No.		DATE	REVISION	3800 Litre Concrete Tank Heavy Duty			
				SCALE	1:25	DRG No.	REV
				DATE	12/07/2019	T3800HD	-
				DRAWN	W.N.	CHECKED	J. NEILSEN
				SIZE A4			