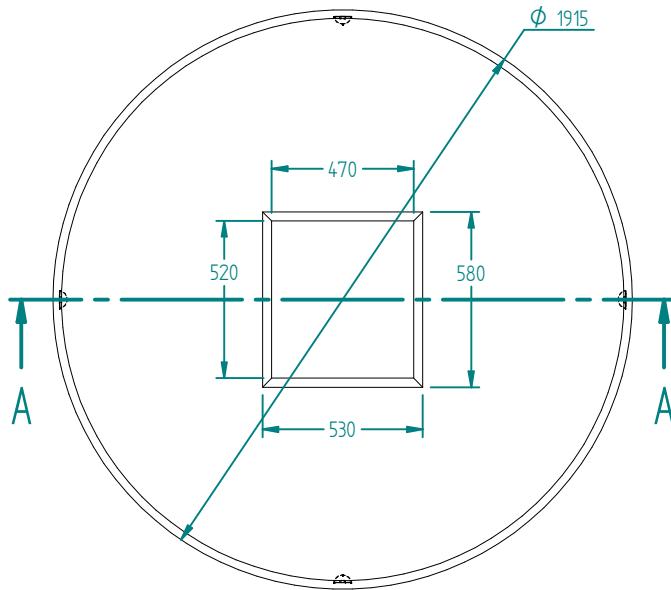
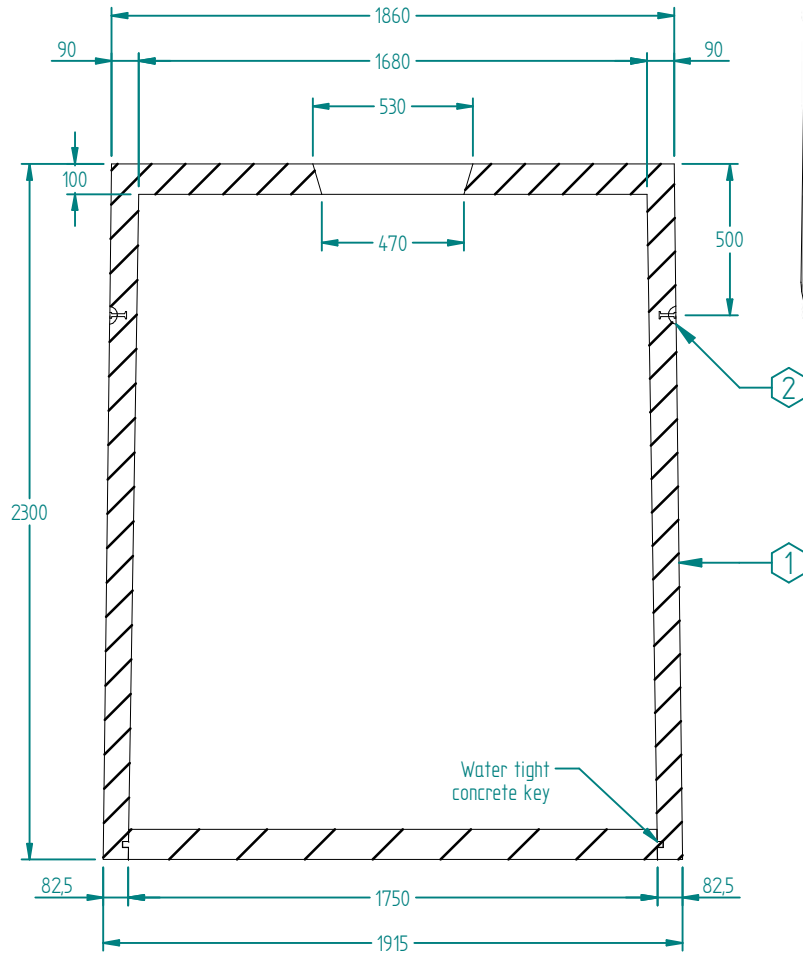


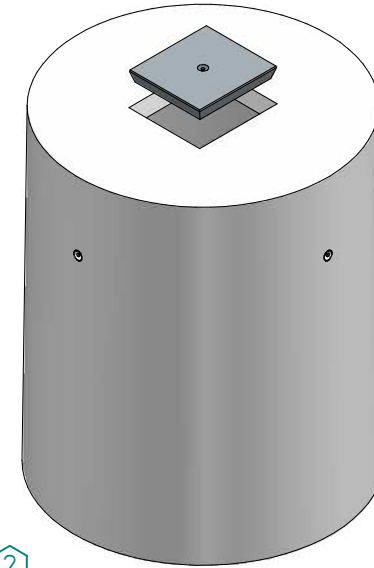
Cover



Plan View



SECTION A-A
1:25



CLASS RATING
STANDARD DUTY

LIVE LOAD LIMITS

< 0.5 tonne Max

DEAD LOAD

0 to 0.6 Metre fill

CONCRETE GRADE

0 to 0.5 Metre fill 40MPa
Exposure Classification B1
AS 3600-2001

TOTAL MASS

Cover = 54 kg

Tank = 3.757 Tonnes

LIFTING

Swiftlift Foot Anchor
Cover - 1 x 1.3t x 55mm
Tank - 3/4 x 1.3t x 55mm
Swiftlift Clutches Required

WATER VOLUME

5000 Litres

TANK BASE NOTES

Bearing capacity of soil
under the tank to be
150 Kpa Minimum

NOTES

Alternative access options
can be manufactured
Enquire with Tanket

No.	Item Code	Qty	Description
1	T5000SD	1	5000L Concrete Tank SD
2	T1FA055	4	Swiftlift Foot anchors 1.3T x 55mm
3	T600V006	1	Square Manhole Cover
4	T1FA055	1	Swiftlift 1.3T x 55mm ea - Manhole Cover