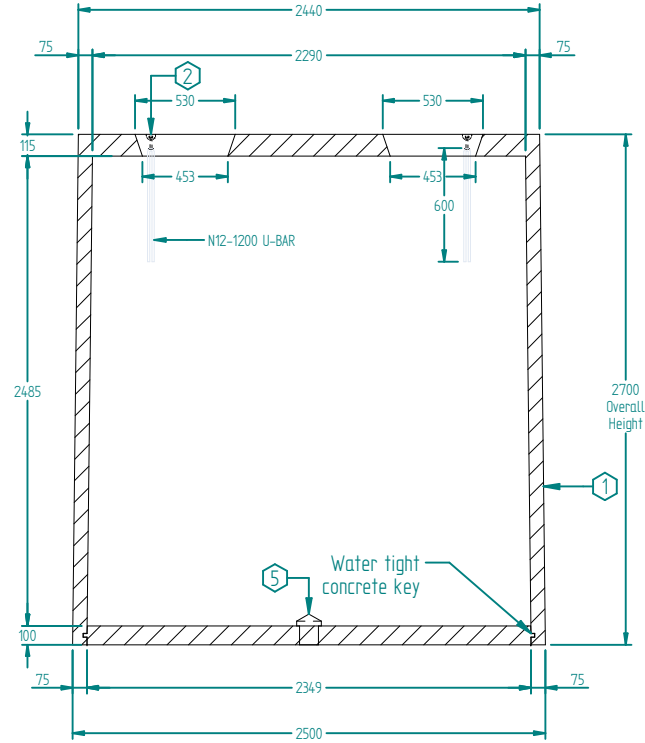
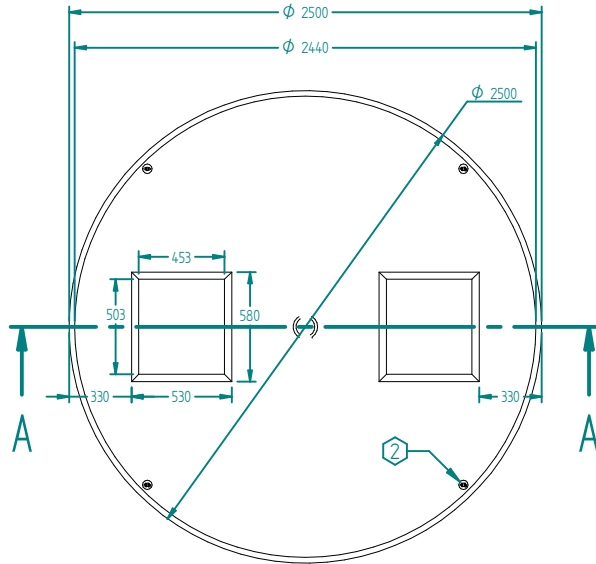


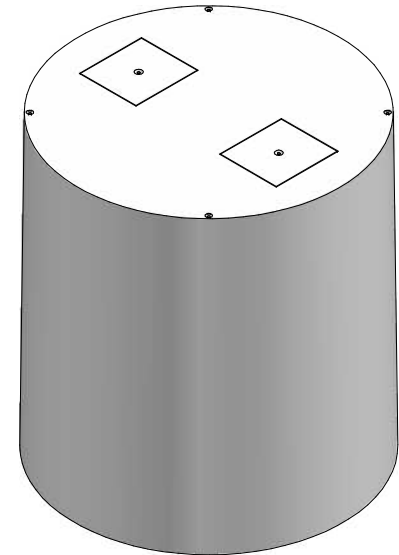
Cover  
1:20



SECTION A-A  
1:40



Plan View



<b>CLASS RATING</b> STANDARD DUTY
<b>LIVE LOAD LIMITS</b> < 0.5 tonne Max
<b>DEAD LOAD</b> 0 to 0.5 Metre fill
<b>CONCRETE GRADE</b> 0 to 0.5 Metre fill 40MPa Exposure Classification B1 AS 3600-2001
<b>TOTAL MASS</b> Covers @ = 54 kg Tank = 5.715 Tonnes
<b>LIFTING</b> SwiftLift Foot Anchor Cover - 1 x 1.3t x 55mm Tank - 4 x 2.5t x 70mm SwiftLift Clutches Required
<b>WATER VOLUME</b> 10,500 Litres
<b>TANK BASE NOTES</b> Bearing capacity of soil under the tank to be 150 Kpa Minimum
<b>NOTES</b> Alternative access options can be manufactured Enquire with Tanket

No.	Item Code	Qty.	Description
1	T10500SD	1	10500 Concrete Tank - SD
2	2REA070	4	SwiftLift™ Eye Anchors 2.5T x 70mm
3	T600V006	2	Square Manhole Cover
4	T1FA055	1	SwiftLift 1.3T x 55mm ea - Manhole Cover
5	T605A110	1	Hydrostatic Valve



**TANKET**  
26 - 30 Ramset Drive  
Chirnside Park, Victoria, 3116 Australia  
Ph: 1300 TANKET / 1300 826 538 - 03 9726 0756  
www.tanket.com.au  
A Division of Neilsen Industries Australia

		10,500 Litre Concrete Tank Standard Duty	
SCALE	1:40	DRG No.	REV
DATE	23/07/2019	T10500SD	-
DRAWN	W.N.	CHECKED	J. NEILSEN
		SIZE	A4
No.	DATE	REVISION	